

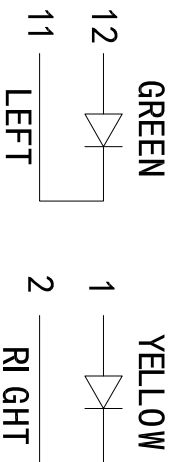
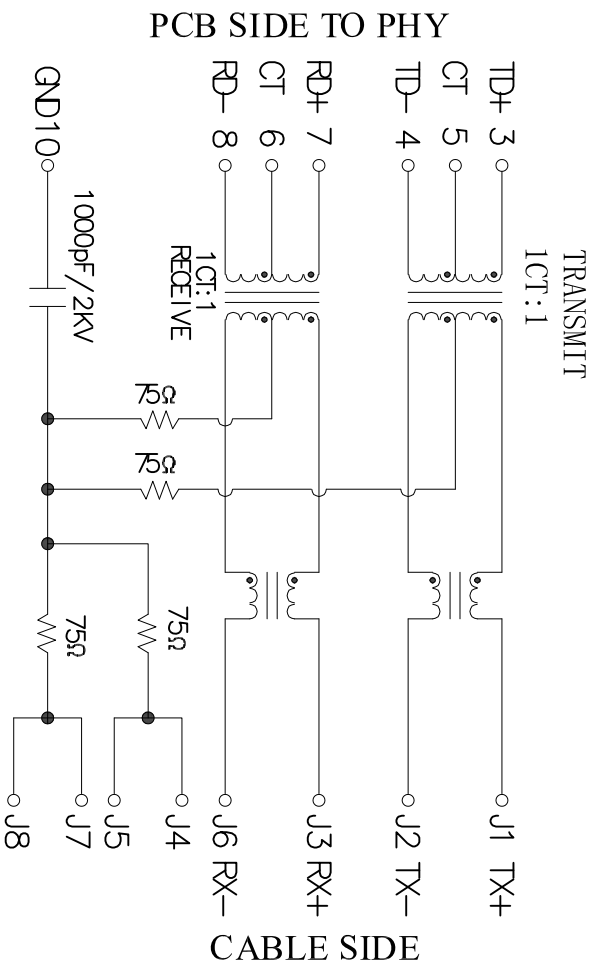
MATERIAL:

HOUSING: LCP, UL94V-0, BLACK.
 TERMINALS BRACKET: LCP, UL94V-0, BLACK.
 SHIELD: C2680, T=0.20MM, NICKEL PLATING ON ALL AREA.
 TERMINAL: PHOSPHOR BRONZE C521 0, T=0.35MM,
 6U" GOLD PLATING ON CONTACT AREA.

MECHANICAL:

DURABILITY: 750 CYCLES MIN.
 MATING FORCE: 23N MAX.
 OPERATING TEMPERATURE: -40°C~+85°C.
 STORAGE TEMPERATURE: -40°C~+85°C.
 ALL CRITICAL DIMENSIONS WITH "±"

APPROVED:	DATE:	深圳市灿科盟实业有限公司 CHANKLEMENT INDUSTRYCO., LTD			
CHECKED:	DATE:				
DRAWN:	DATE:	TITLE: 百兆网口 RJ45-10P/8C TAB-UP H=2.5, 4 卧贴面 带屏蔽 带灯 带弹 带变压器			
L. YAN	2020-08-10	PART. NO.	R-RJ45M08P-D001	UNIT	mm
		FILE NO.	Ckmtw-RJ45-0265	SCALE	Free
		REV.	A0		KYD0



Electrical:

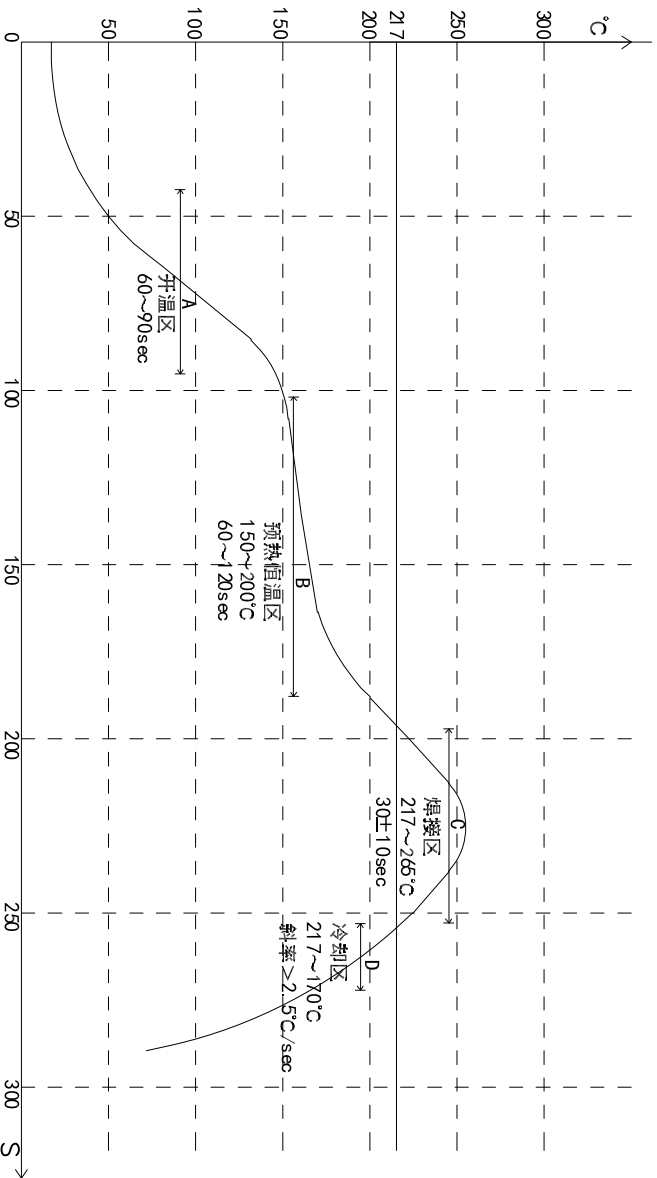
1. Turn ratio: 1~2: J1~J2=1CT:1CT(±2%), 5~6: J3~J6=1CT:1CT(±2%).
2. OCL: 350uH Min. at 100KHz 100mV 8mA DC.
3. Insertion Loss: -1.0 dB Max 1~100MHz.
4. Return loss: -20dB Min 1~10MHz;
-16dB Min 10~30MHz;
-12dB Min 30~60MHz;
-10dB Min 60~80MHz.
5. Cross talk: -40dB Min 1~30MHz;
-35dB Min 30~60MHz;
-30dB Min 60~100MHz;
6. CMR: -30dB Min 1~100MHz;
7. Hi-Pot: 1500V AC & 2250V DC
6S 1 mA PRI TO SEC

LED Specification

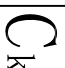
Standard LED Color	LED Wavelength	Forward(A)	Forward(V)
Green	568nm	20mA	1.85-2.45V
Yellow	585nm	20mA	1.7-2.2V

APPROVED:	DATE:	深圳市灿科盟实业有限公司 CHANKLEMENT INDUSTRYCO., LTD			
CHECKED:	DATE:				
TITLE: 百兆网口 RJ45-10P/8C TAB-UP H=2.5, 4 卧贴面 带屏蔽 带灯 带弹 带变压器		PART. NO.	R-RJ45M08P-D001		
DRAWN:	DATE:	UNIT	SCALE	Free	REV.
L. YAN	2020-08-10	mm	SCALE	Free	A0 KYD0
		FILE NO.	Ckmtw-RJ45-0265		

PROFILE OF REFLOW SOLDERING



- A. Temperature range of open
 - B. Preheat temperature zone
 - C. The welding zone
 - D. The cooling zone
- Tip temperature: 265±5°C.
 Tip temperature time: 30±10Sec
 Tip melting point of Sn96.5/Ag3/Cu0.5

APPROVED:	DATE:	 深圳市灿科盟实业有限公司 CHANKLEMENT INDUSTRYCO., LTD								
CHECKED:	DATE:									
DRAWN:	DATE:	TITLE: 百兆网口 RJ45-10P/8C TAB-UP H=2.5, 4 卧贴面 带屏蔽 带灯 带弹 带变压器								
L. YAN	2020-08-10	PART. NO.	R-RJ45M08P-D001	UNIT	mm	SCALE	Free	REV.	A0	KYD0
		FILE NO.	Ckmtw-RJ45-0265							